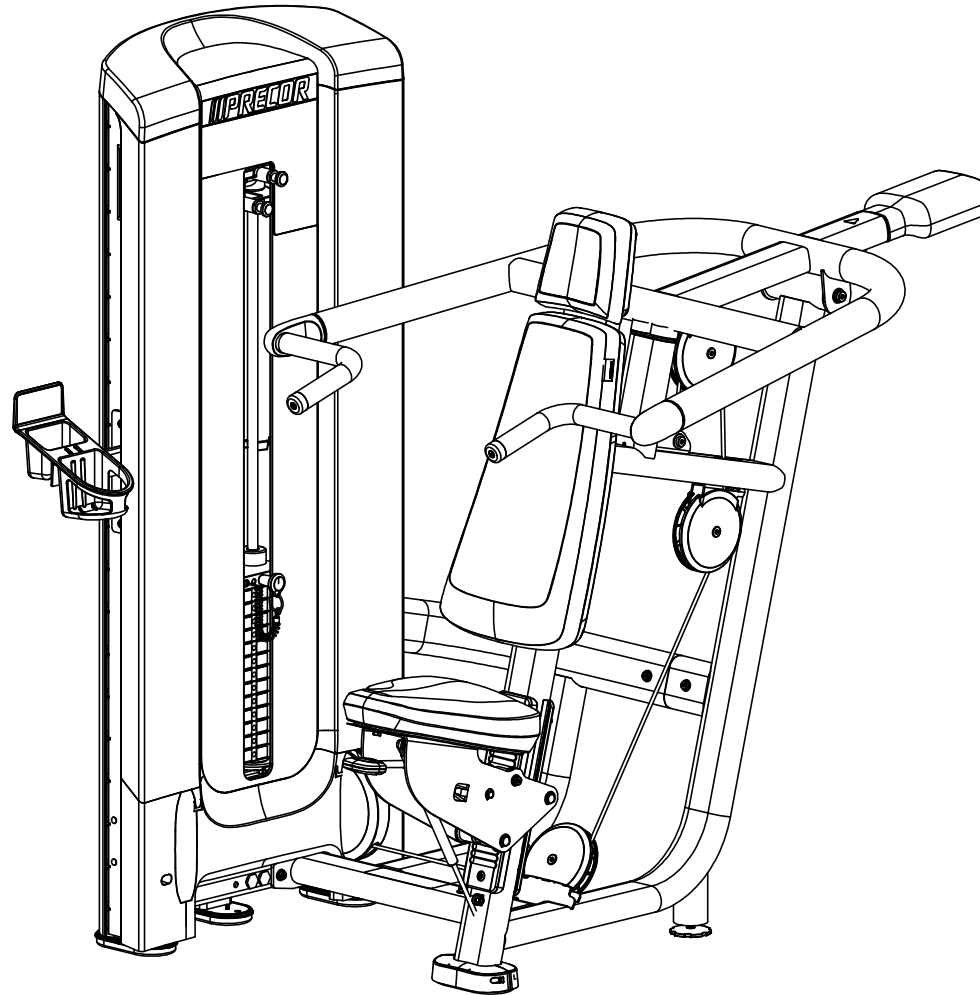


NOTES:

1. THIS LABEL IS FURNISHED AS PART OF A LABEL KIT. ORDER REPLACEMENT LABEL KITS AS FOLLOWS:

ENGLISH - BUBBLE #201  
CHINESE - BUBBLE #202  
FRENCH - BUBBLE #203  
GERMAN - BUBBLE #204  
JAPANESE - BUBBLE #205  
SPANISH - BUBBLE #206  
DUTCH - BUBBLE #207  
PORTUGUESE - BUBBLE #208  
RUSSIAN - BUBBLE #209  
HEBREW - BUBBLE # 210  
ITALIAN - BUBBLE #211



C500EC, SHOULDER PRESS

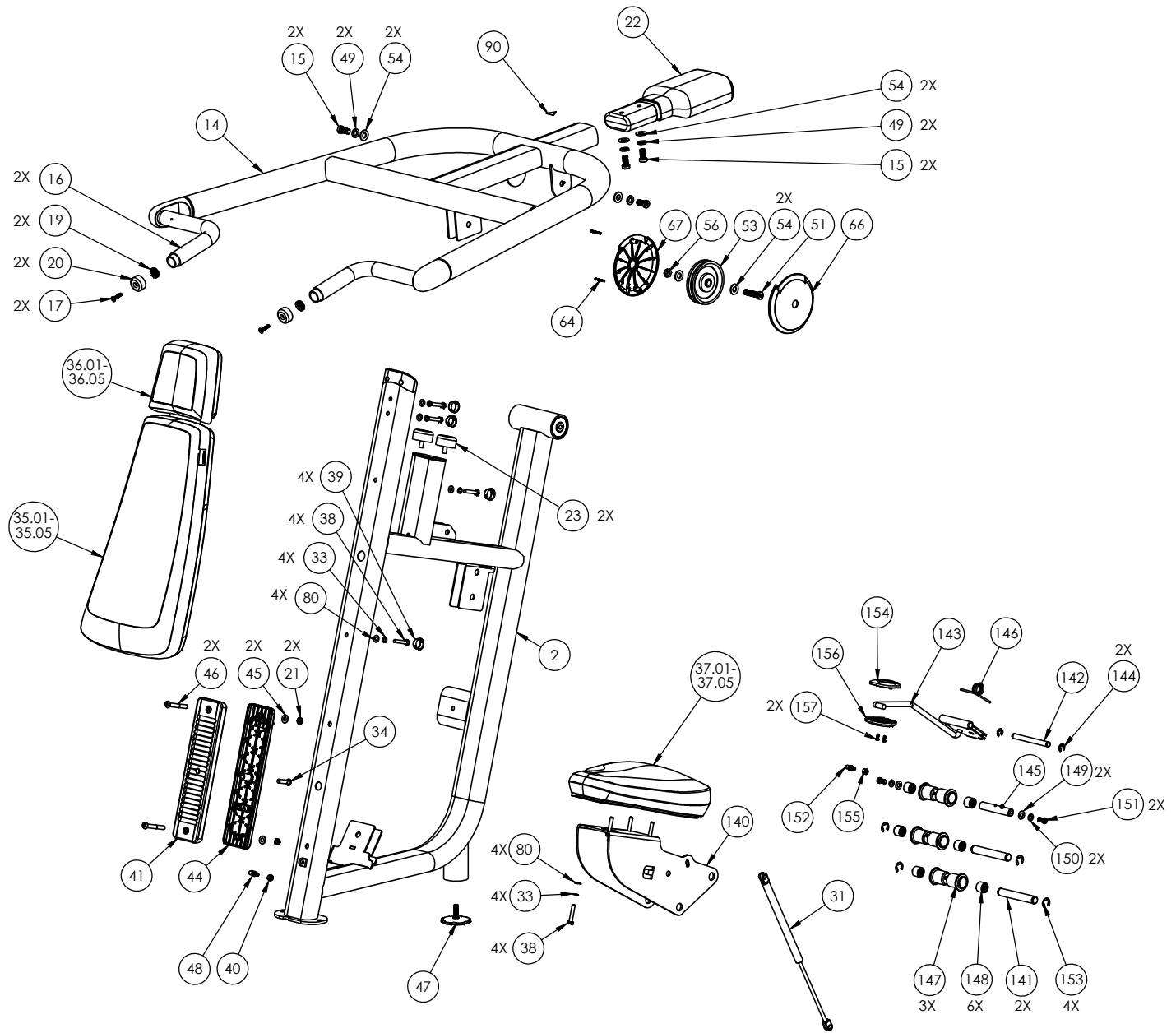
P/N : CW34250-101

SUBREV : G

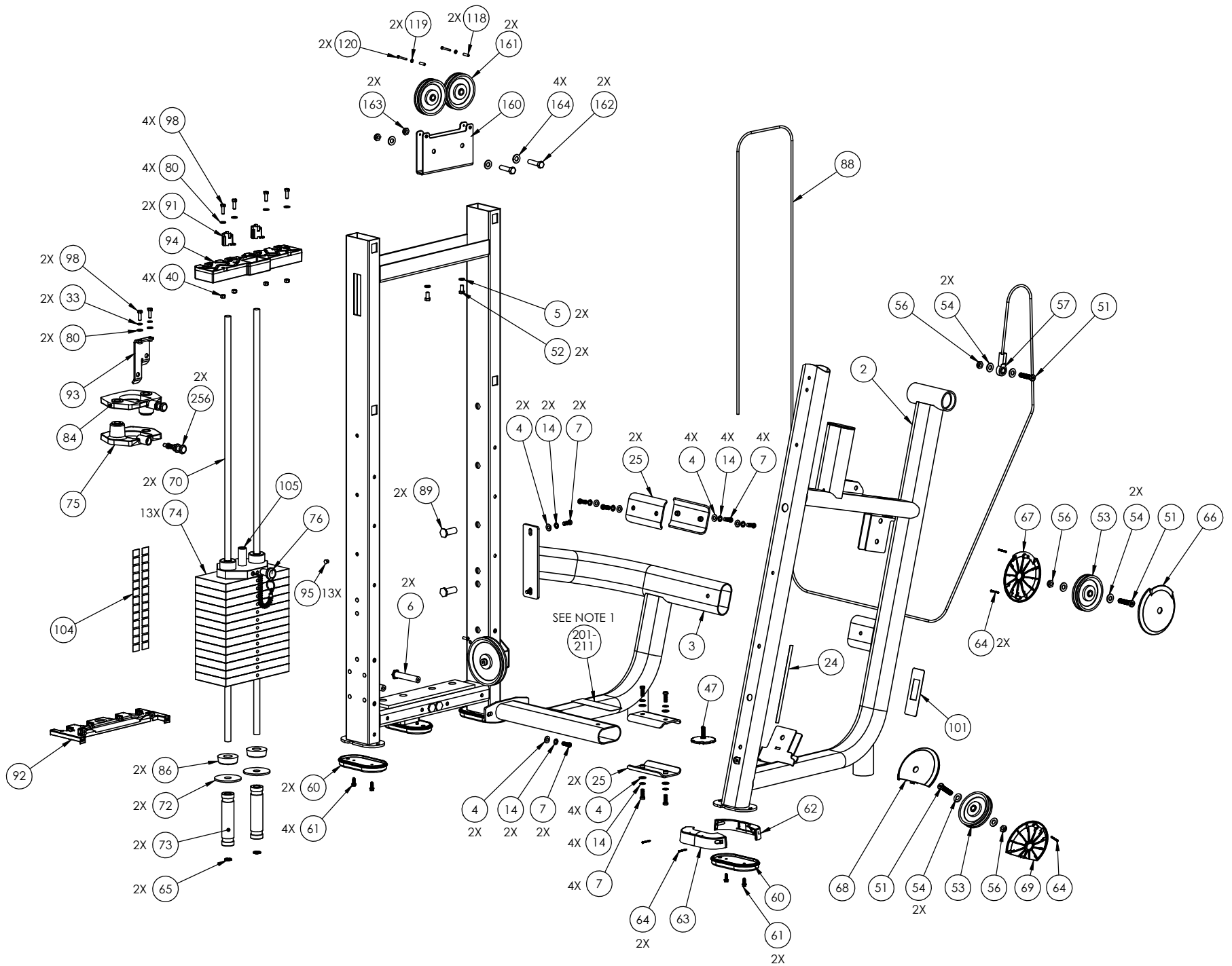
DRAWN BY : MAH

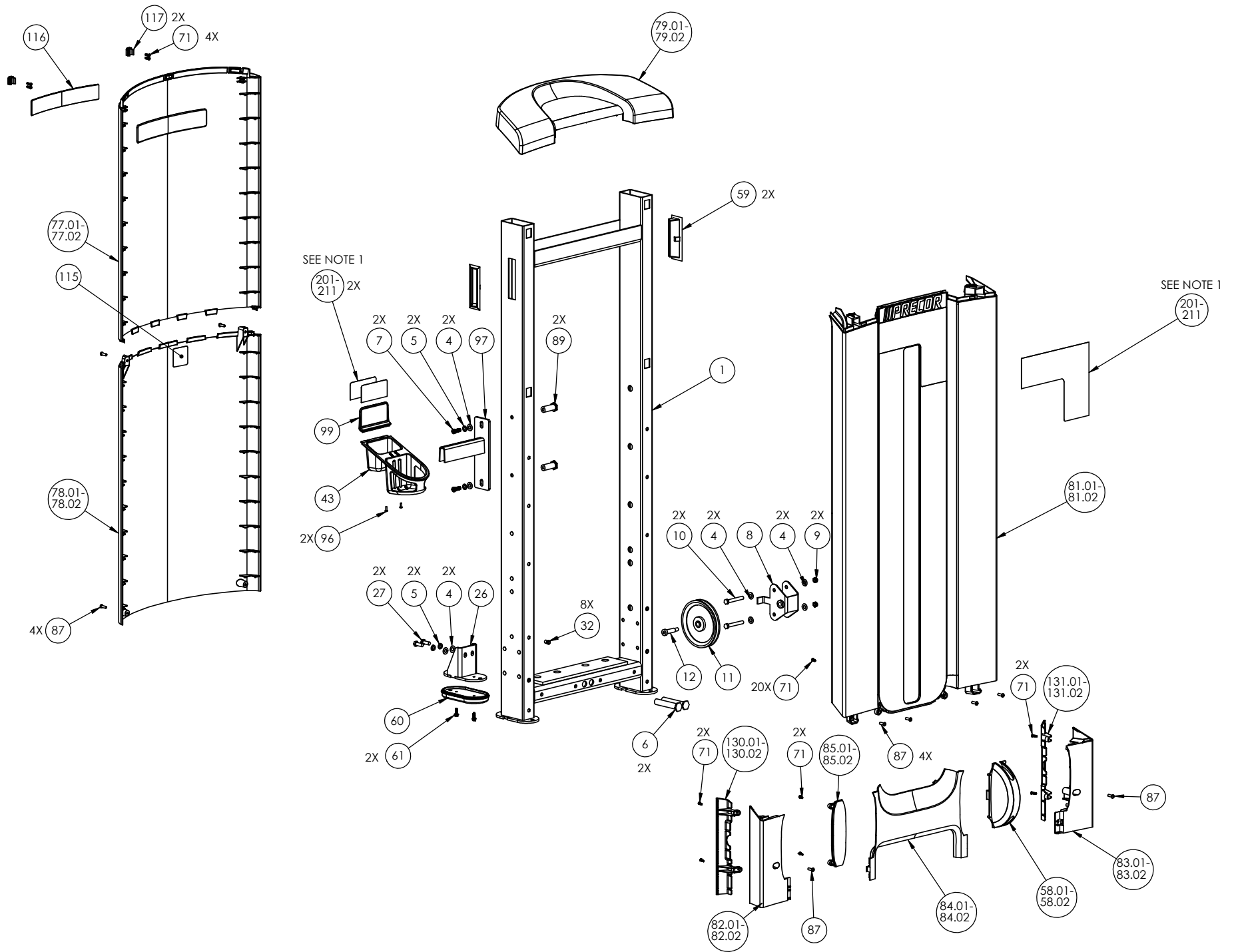
DATE : 04.21.11

SHEET 1 OF 4









### C500EC, Shoulder Press, C-Line

Part Number	Description	Bubble Number
CW33767-103	WLDMT, WEIGHT TOWER, SHORT,PTD	1
CW50232-101	ASSEMBLY, SEAT FRAME, SHOULDER PRES	2
CW35080-101	WLDMT, FRAME MOUNT, SHOULDER PRESS	3
CWWBCN038-007	WASHER, FLAT, TYPE A, 3/8 ID X 13/1	4
CWWALCN038-009	WASHER, SPLIT, 3/8 ID, CLR ZINC	5
CW33991-101	WEIGHT TOWER BOLT ON, LONG	6
CWCPMN038-100	SCREW, SCKT LW HD, MCH CLR ZI,3/8-1	7
CW33773-101	WLDMT, WS BASE PULLEY	8
CWKACN038-027	LOCKNUT,HALF, 3/8-16, ZN	9
CWHCCN038-275	SCREW, HEX, CLR. ZINC, 3/8-16 X 2 3	10
CWAC1010-101	PULLEY, 6 DIA X 1/2 ID	11
CWRANN038-150	BOLT, SHOULDER, 3/8-16 X 1/2 X 1 1/	12
CW50291-101	SHOULDER PRESS, PRESS ARM REPLACEME	14
CWWATCN038-032	WASHER, LK, INT. TOOTH, .375	14
CWCPMN050-100	SCREW, SCKT LW HD, MCH CLR ZI,1/2-1	15
CWGR4713-500	GRIP, RUBBER, 1-1/4" OD HANDLE, 13.	16
CWMACMN025-100	SCREW, FLT HEAD, SOCKET, MECH CLR Z	17
CW10385-108	CONNECTOR, TUBE, 1/4-20, TUBE ID 1.	19
CW34060-101	END CAP, HANDLE, AL, 1.25" OD	20
CWKATN038-027	LOCKNUT,HALF, 3/8-16, SHARPERIZED B	21
CW34079-101	COUNTER WEIGHT SHOULDER PRESS	22
CW34690-101	BUMPER, RUBBER, SCREW-ON, 3/8-16.	23
CW34377-103	LABEL,SEAT ADJUSTMENT, VERTICAL	24
CW33880-101	FORMED,PLATE, .19 THICK,DOUBLE-D CO	25
CW34380-101	ASSY, STABILITY FOOT	26
CWHCCN038-100	SCREW, HEX, CLR ZINC, 3/8-16 X 1.00	27
CW33993-101	GAS SPRING, 200MM STROKE	31
CW12112-101	RIVNUT,INSERT,HEX,1/4-20	32
CWWALCN031-008	WASHER, SPLIT, 5/16 ID, ZN	33
CWTAKN038-150	SCREW,BTHD,3/8-16X1-1/2,BLK ZN	34
CWPD4033-101	BACK PAD, RENOVO, BLACK	35.01
CWPD4033-114	BACK PAD, RENOVO, CUSTOM	35.02
CWPD4033-118	BACK PAD, RENOVO,IMP BLUE	35.03
CWPD4033-122	BACK PAD, RENOVO, PAPRIKA	35.04
CWPD4033-131	BACK PAD, RENOVO, MAHOGANY	35.05
CWPD4011-101	HEAD PAD, RENOVO, BLACK	36.01
CWPD4011-114	HEAD PAD, RENOVO, CUSTOM	36.02
CWPD4011-118	HEAD PAD, RENOVO,IMP BLUE	36.03
CWPD4011-122	HEAD PAD, RENOVO, PAPRIKA	36.04
CWPD4011-131	HEAD PAD, RENOVO, MAHOGANY	36.05
CWPD4003-101	SEAT PAD, RENOVO, BLACK	37.01
CWPD4003-114	SEAT PAD, RENOVO, CUSTOM	37.02
CWPD4003-118	SEAT PAD, RENOVO,IMP BLUE	37.03
CWPD4003-122	SEAT PAD, RENOVO, PAPRIKA	37.04
CWPD4003-131	SEAT PAD, RENOVO, MAHOGANY	37.05
CWHCCN031-175	SCREW, HEX, GR 5, 5/16-18 X 1 3/4 C	38
CW11095-109	CAP, PLASTIC, HEYCO, DOME PLUG, 1.0	39
CWKACN031-016	LOCKNUT,HALF, 5/16-18,ZN	40
CW33821-101	INDEXING PLATE, SEAT ADJUST	41

CW34366-101	END CAP ASSY, SEAT BACK, DOUBLE D T	42
CW34787-101	WATER BOTTLE HOLDER, WEIGHT STACK	43
CW33822-101	STOP PLATE, SEAT ADJUST	44
CWCPMN038-100	SCREW, SCKT LW HD, MCH CLR ZI,3/8-1	44
CWWBTN038-007	WASHER, FLAT, TYPE A, SAE, 3/8 ID	45
CWTAKN038-275	SCREW,BTHD,3/8-16X2-3/4,BLK ZN	46
CW39916-103	FOOT, ADJUSTING, NO LOGO	47
CW33992-101	BALL, GAS SPRING	48
CWWALCN050-013	WASHER, SPLIT, 1/2 ID, CLR ZINC	49
CWCPMN050-200	SCREW, SOCKET LOW HEAD, MECH CLR ZI	51
CWHCCN038-075	SCREW, HEX, CLR. CLR. ZINC, 3/8-16	52
CWAC1009-101	PULLEY, 4 1/2 DIA X 1/2 ID	53
CWWBCN050-010	WASHER, FLAT, TYPE A, NARROW, 1/2 I	54
CWKACN050-031	LOCKNUT,HALF, 1/2-13, ZN	56
CWCLFA1064-741	ROD END, FEMALE, STEEL, ZINC, CAD,	57
CW34012-103	PULLEY COVER, 6 INCH, SILVER GRAY	58.01
CW34012-104	PULLEY COVER, 6 INCH, AMAZON STONE	58.02
CW33991-102	WEIGHT TOWER BOLT ON, SHORT	59
CW34067-101	PLASTIC RECESSED HANDLE	59
CWPLCN025-075	SLOTTED, HEX, WASHER, HEAD, 1/4-20	61
CW34061-103	FOOT COVER FRONT, 15 DEGREES SHORT	62
CW34061-104	FOOT COVER BACK, 15 DEGREES SHORT	63
CWPMTN016-125	SCREW, SELF TAPPING,#8 X 1 1/4 PHIL	64
CW12651-101	WAVE SPRING, .85 OD X .66 ID X .17	65
CW33997-108	4.5" PULLEY COVER, BRKT MOUNT, FRON	66
CW33997-111	4.5" PULLEY COVER, BRKT MOUNT, BACK	67
CWPMTN016-125	SCREW, SELF TAPPING,#8 X 1 1/4 PHIL	67
CW33997-109	4.5" PULLEY COVER, TRUNCATED, FRONT	68
CW33997-112	4.5" PULLEY COVER, TRUNCATED, BACK	69
CW33994-101	BAR, .750 DIA, SHORT GUIDE ROD	70
CWPMTN016-063	SCREW, SELF TAPPING,#8 X 5/8 PHIL,	71
CW33894-101	WASHER, BUMPER BACKING	72
CW33633-101	BAR, 1.50 DIA, WEIGHT STACK RISER	73
CW34292-101	ASSEMBLY, WEIGHT PLATE, RECTANGULAR	74
CW33966-102	ASSEMBLY, CAST DROP DOWN,BOTTOM	75
CW33870-104	ASSEMBLY, 5" WEIGHT STACK PIN & LEA	76
CW34072-101	ASSY, BACK TOP SHROUD, SHORT, PACIF	77.01
CW34072-102	ASSY, BACK TOP SHROUD, SHORT, DARK	77.02
CW34375-101	ASSY,COVER, BACK, LOWER, SHORT, PAC	78.01
CW34375-102	ASSY,COVER, BACK, LOWER, SHORT, DAR	78.02
CW33947-103	COVER, TOP	79.01
CW33947-104	COVER, TOP, AMAZON STONE	79.02
CWWBCN031-007	WASHER, FLAT, TYPE A, SAE, 5/16 ID	80
CW34005-103	ASSY, WINDOW BASE SHROUD, SHORT, SI	81.01
CW34005-104	ASSY, WINDOW BASE SHROUD, SHORT, AM	81.02
CW34343-101	CORNER COVER ASSY, LEFT, SILVER GRA	82.01
CW34343-103	CORNER COVER ASSY, LEFT, AMAZON STO	82.02
CW34343-102	CORNER COVER ASSY, RIGHT, SILVER GR	83.01
CW34343-104	CORNER COVER ASSY, RIGHT, AMAZON ST	83.02
CW33966-103	ASSEMBLY, CAST DROP DOWN, TOP	84
CW33945-101	COVER, CENTER	84.01
CW33945-102	COVER, CENTER, AMAZON STONE	84.02

CW34013-101	PLUG, PULLEY, SILVER GRAY	85.01
CW34013-102	PLUG, PULLEY, AMAZON STONE	85.02
CW12402-101	BUMPER, ID 1.050, BLK RUBBER	86
CWTATN025-075	SCREW, BUTTON HEAD, SHARPERIZED BLK	87
CWCLPP180-000	ASSY, CABLE, SHOULDER PRESS, RENOVO	88
CW33991-102	WEIGHT TOWER BOLT ON, SHORT	89
CW34758-102	LABEL,PINCH POINT WARNING, RENOVO,	90
CW34015-101	UPPER GUIDE ROD LOCK	91
CWWBCN038-007	WASHER, FLAT, TYPE A, 3/8 ID X 13/1	91
CW34367-101	LOWER COVER SUPPORT ASSY	92
CWWALCN038-009	WASHER, SPLIT, 3/8 ID, CLR ZINC	92
CW33967-102	PLATE, .19 THICK, DRP DW WT MNT	93
CW34014-101	UPPER GUIDE ROD SUPPORT	94
CW11095-107	CAP, PLASTIC, HEYCO, DOME PLUG, 0.3	95
CW34364-101	WLDMT, WATER BOTTLE HOLDER	97
CWHCCN031-100	SCREW, HEX, GR 5, 5/16-18 X 1.0, ZN	98
CW34788-101	LABEL PLACARD, WATER BOTTLE, WEIGHT	99
CW34745-101	LABEL, REGULATORY, SHOULDER PRESS,	101
CW50267-101	KIT, WEIGHT STACK LABELS, 170 LB	104
CW34298-101	ASSEMBLY, TOP PLATE, 215 LBS RECTAN	105
CW11095-107	CAP, PLASTIC, HEYCO, DOME PLUG, 0.3	109
CWMGCN016-050	SCREW, MCH, 8-32 X 1/2, PANHD, PHIL	111
CW34373-101	LABEL,CABLE BOLT WARNING STRENGTH,	115
CW34073-102	PRECOR BADGE, BACK	116
CW34074-101	REAR COVER SNAP	117
CW35980-101	SPACER, ALU,.166 ID X .25 OD X .875	118
CWWAMCN016-020	WASHER, LOCK, EXT TOOTH, #8	119
CWMGCN016-150	SCREW,MCH,8-32X1-1/2,PANHD,	120
CW34341-101	BOTTOM, EDGE COVER, RAIL, LEFT, SIL	130.01
CW34341-103	BOTTOM, EDGE COVER, RAIL, LEFT, AMA	130.02
CW34341-102	BOTTOM, EDGE COVER, RAIL, RIGHT, SI	131.01
CW34341-104	BOTTOM, EDGE COVER, RAIL, RIGHT, AM	131.02
CW33752-102	FORMED PLATE, .19 THICK	140
CW33976-102	BAR, .75 DIA, SEAT ROLLER SHAFT	141
CW33755-102	BAR, .50 DIA., SEAT LATCH SHAFT	142
CW33757-101	WLDMT,LATCH,SEAT ADJUST	143
CWAECN050-004	E-RING,.50 DIA X .04 THICK, CLEAR Z	144
CW33756-101	BAR, .75 DIA.	145
CW33938-101	SPRING, TORSION, SEAT LATCH	146
CW33820-101	ROLLER, SEAT ADJUST	147
CW10221-104	BEARING, NEEDLE, .75 ID	148
CWWBCN038-007	WASHER, FLAT, TYPE A, 3/8 ID X 13/1	149
CWWALCN038-009	WASHER, SPLIT, 3/8 ID, CLR ZINC	150
CWCPMN038-075	SCREW, SCKT LW HD,MCH CLR ZI,3/8-16	151
CW33992-101	BALL, GAS SPRING	152
CWAECN075-005	E-RING,.75 DIA X .05 THICK, CLEAR Z	153
CW34063-101	SEAT ADJUST HANDLE, TOP	154
CWKACN031-016	LOCKNUT,HALF, 5/16-18,ZN	155
CW34063-102	SEAT ADJUST HANDLE BOTTOM	156
CWPMCN016-050	SCREW, SELF TAPPING,#8 X 1/2 PHIL,	157
CW35978-101	DBL PULLY BRKT,FORMED PLATE,10GA(.1	160
CWAC1009-101	PULLEY, 4 1/2 DIA X 1/2 ID	161

CWHCCN050-200	SCREW, HEX HEAD,ZN, 1/2-13 X 2.0	162
CWKACN050-031	LOCKNUT,HALF, 1/2-13, ZN	163
CWWBCN050-010	WASHER, FLAT, TYPE A, NARROW, 1/2 I	164
CW50263-101	KIT, FRAME CONNECTOR, SHOULDER PRES	200
CW50271-101	KIT, DROP DOWN WEIGHTS.	250
CW50288-101	KIT, POP PIN, DROP DOWN WEIGHT	256
CW35145-101	CUT PIECE CREPE, .06" THICK	257
CW11095-111	CAP, PLASTIC, HEYCO, PRY OUT PLUG,	265
CW34954-101	LIT KIT, EXPERIENCE C, SHLDR PRESS,	999